



Installation Instructions and Homeowner's Manual

INSTALLER: DO NOT DISCARD THIS MANUAL - LEAVE FOR HOMEOWNER

ELECTRIC FIREPLACE

MODEL NO. OL-L6G

WARNING! IF INFORMATION IN THIS MANUAL IS NOT FOLLOWED EXACTLY, A FIRE OR EXPLOSION MAY RESULT CAUSING PROPERTY DAMAGE, PERSONAL INJURY OR LOSS OF LIFE. FOR YOUR SAFETY, DO NOT STORE OR USE GASOLINE OR OTHER FLAMMABLE VAPORS OR LIQUIDS IN THE VICINITY OF THIS OR ANY OTHER APPLIANCE.

Thank you and congratulations on your purchase of
a OLMO fireplace.

Table Of Contents

**IMPORTANT: Read all instructions and warnings carefully before starting installation.
Failure to follow these instructions may result in a possible electric shock,
fire hazard and will void the guarantee.**

Installation Instructions

Measure	2
General	3
Locating Your Fireplace	3
Hearth	3
Electrical Specifications	3
Electrical Connection	4

Service Instructions

Maintenance of Motors	4
Glass Information	4
Replacing the Light Bulbs	5

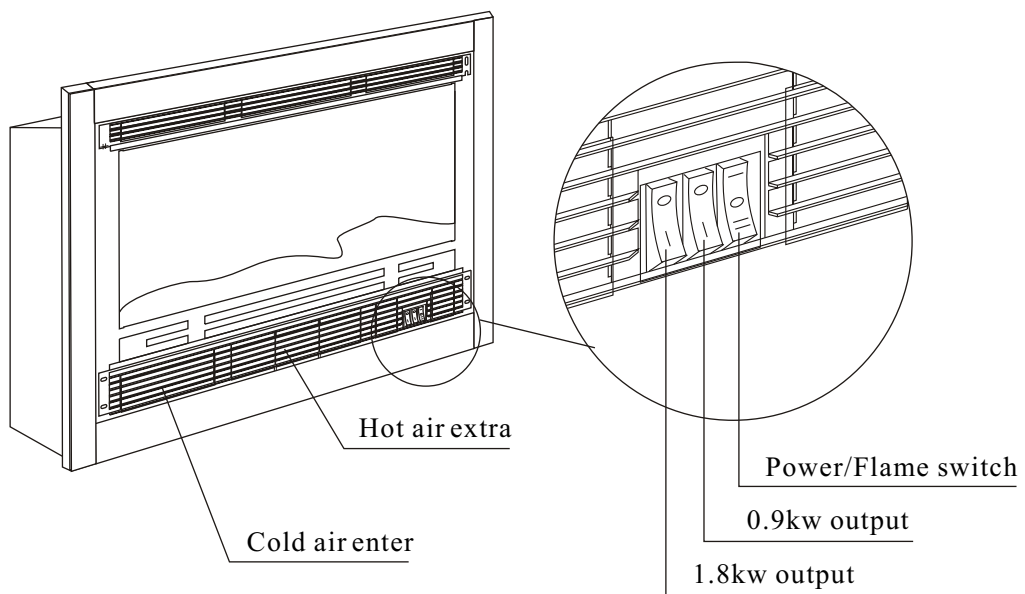
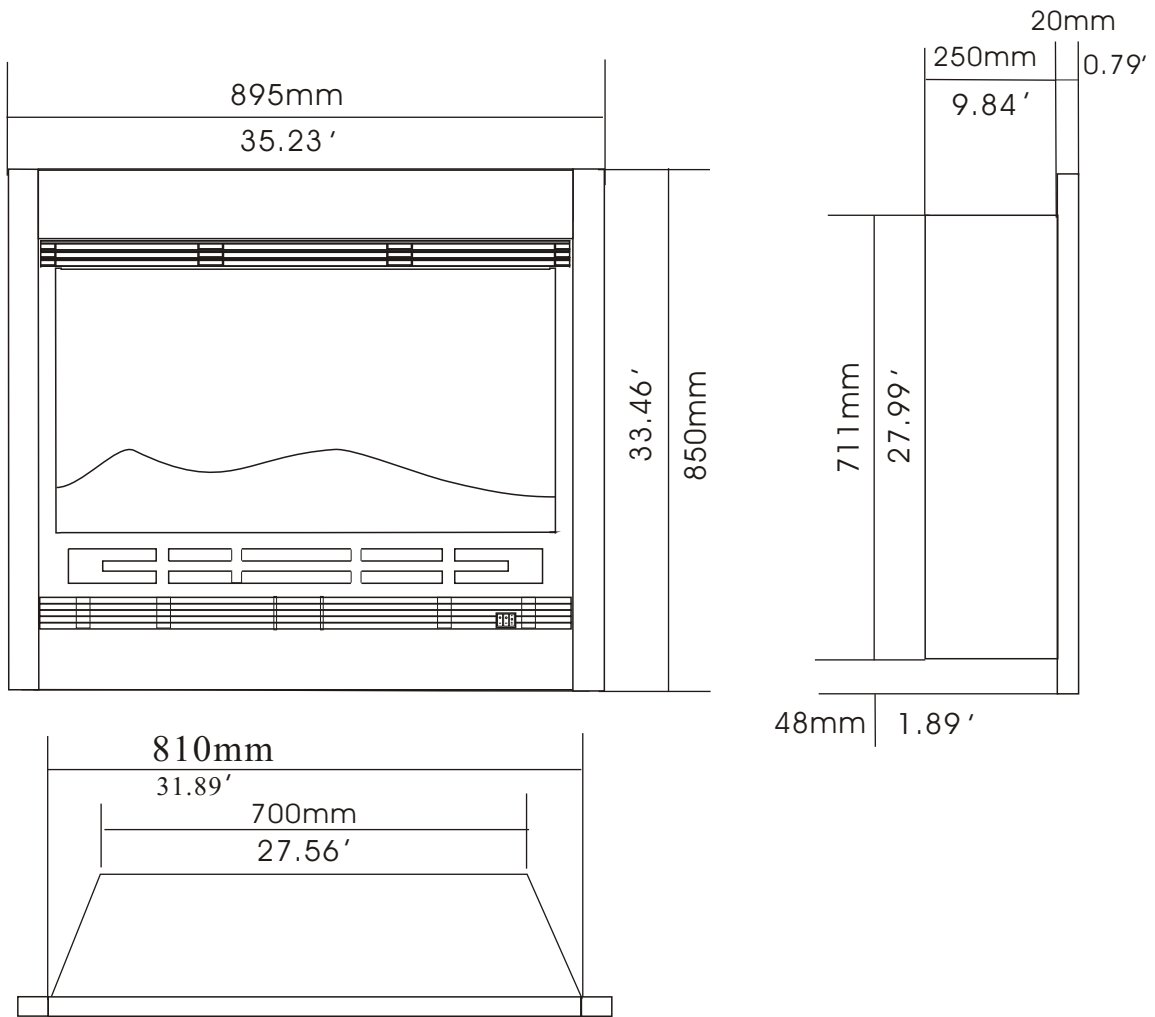
Assembling Instruction 6

Operating Instruction

Manual Operation	7
Remote Control Operation	7

Guarantee 7

Measure



Installation Instructions

General

1. Read all instructions before using the appliance.
2. This appliance is hot when in use. To avoid burns, do not let bare skin touch hot surfaces. If provided, use handles when moving this appliance. Keep combustible materials, such as furniture, pillows, bedding, papers, clothes, and curtains at least 3 feet (1m.) from the front of this appliance.
3. **CAUTION: Extreme caution is necessary when any heater is used by or near children or invalids and whenever the heater is left operating unattended.**
4. If possible, always unplug this appliance when not in use.
5. Do not operate any heater with a damaged cord or plug or after the appliance malfunctions, has been dropped or damaged in any manner.
6. Any repairs to this fireplace should be carried out by a qualified service person.
7. Under no circumstances should this fireplace be modified. Parts having to be removed for servicing must be replaced prior to operating this fireplace again.
8. Do not use outdoors.
9. This heater is not intended for use in bathrooms, laundry areas and similar indoor locations. Never locate this appliance where it may fall into a bathtub or other water container.
10. Do not run cord under carpeting. Do not cover cord with throw rugs, runners or the like. Arrange cord away from traffic areas and where it will not be tripped over.
11. To disconnect this appliance, turn controls to the off position, then remove plug from outlet.
12. Connect to properly grounded outlets only.
13. This appliance, when installed must be electrically grounded in accordance with local codes.
14. Do not insert or allow foreign objects to enter any ventilation or exhaust opening as this may cause an electric shock, fire, or damage the appliance.
15. To prevent possible fire, do not block air intakes or exhaust in any manner. Do not use on soft surfaces, like a bed, where openings may become blocked.
16. This appliance has hot and arcing or sparking parts inside. Do not use it in areas where gasoline, paint, or flammable liquids are used or stored. This fireplace should not be used as drying rack for clothing, nor should Christmas stockings or decorations be hung on or near it.
17. Use this appliance only as described in this manual. Any other use not recommended by the manufacturer may cause fire, electric shock, or injury to persons.
18. Avoid the use of an extension cord because the extension cord may overheat and cause a risk of fire. However, if you have to use an extension cord, the cord shall be NO. 14AWG minimum size and rated not less than 2000 Watts. The extension cord must be three wire cord with grounding type plug and cord connector. The extension cord shall not be more than 20 feet in length.
19. SAVE THESE INSTRUCTIONS.

Locating Your Fireplace

Your new electric fireplace may be installed virtually anywhere in your home. However, when choosing a location for your new fireplace, ensure that the general instructions are followed. Also, for best effect, install the fireplace out of direct sunlight.

Hearth

A hearth is not mandatory but it is recommended for aesthetic purposes. We recommend a non-combustible hearth which does not obstruct heater openings.

Electrical Specifications

Voltage	220VAC/50Hz
Total Amps	8.70Amps
Total Watts	2000Watts
Heater Ratings	1800Watts

Electrical Connection

A 10 AMP, 220 Volt, 50 Hz circuit with a properly grounded outlet is required. Preferably, the fireplace will be on a dedicated circuit as other appliances on the same circuit may cause the circuit breaker to trip or the fuse to blow when the heater is in operation.

The unit comes standard with a three wire cord, exiting from the rear of the fireplace. Plan the installation to avoid the use of an extension cord. If an extension cord must be used, it must be a minimum 14AWG, three wire with grounding type plug connector and rated not less than 1875 Watts. The extension cord shall not be more than 20 feet in length.



WARNING: Electrical outlet wiring must comply with local building codes and other applicable regulations to reduce the risk of fire, electrical shock and injury to persons.



WARNING: Do not use this fireplace if any part of it has been under water. Immediately call a qualified service technician to inspect the fireplace and replace any part of the electrical system.



WARNING: This fireplace comes with an ES. In case the fireplace is not operating disconnect the power and reset the ES. If the fireplace is still not operating immediately call a qualified service technician to inspect the fireplace.

Service Instructions



WARNING: Disconnect power before attempting any maintenance or cleaning to reduce the risk of fire, electrical shock or personal injury.

Maintenance of Motors

The motors used on the fan and the flame generator assembly are prelubricated for extended bearing life and require no further lubrication. However, periodic cleaning/vacuuming of the fan/heater unit is recommended.



WARNING: Make sure that the power is turned off before proceeding.

Glass information

1. Under no circumstances should this product be operated with missing or broken glass.
2. Do not strike or slam the glass.
3. Do not use abrasive cleaners to clean the glass.
4. This product uses tempered glass. Replacement should be carried out by a qualified service person.

Replacing the Light Bulbs

This fireplace uses one or two clear 220Volt, 60 Watt, E-14 socket base light bulbs (small base, chandelier candle type). The 60 Watt bulbs are located under the log set/ember bed.

1. Turn off the power switch and unplug the power cord.
2. Let fireplace cool if it has been operation.
3. Take the two sides of the frame and pull the frame off. (See fig 1)
4. Take off the glass carefully. (see fig 2)
5. Remove the screw securing the ember bed position in the side of the ember. (see fig 3).
6. Lift ember bed and take it off. (see fig 4)
7. Replace the bulb. (see fig 5)
8. Reinstall the ember bed, the glass and the frame.



WARNING: Do not exceed 60 watts per bulb for lights beneath the ember bed. Use of higher rated bulbs may result in a fire, causing property damage or personal injury.

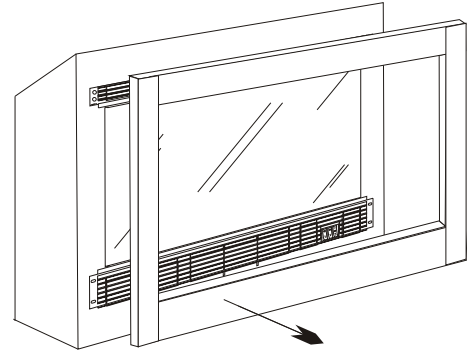


Fig 1

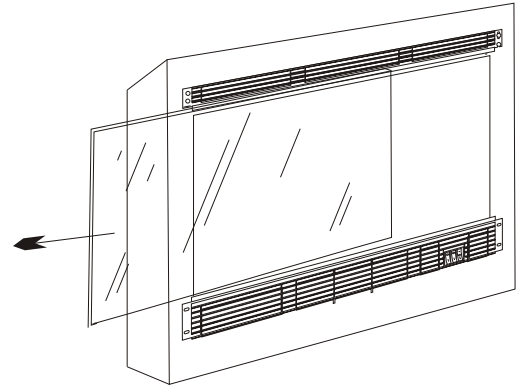


Fig 2

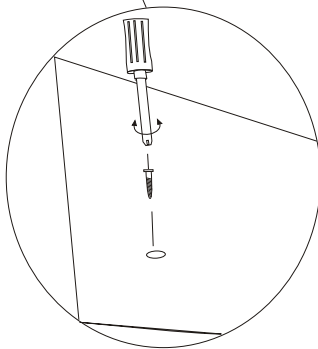
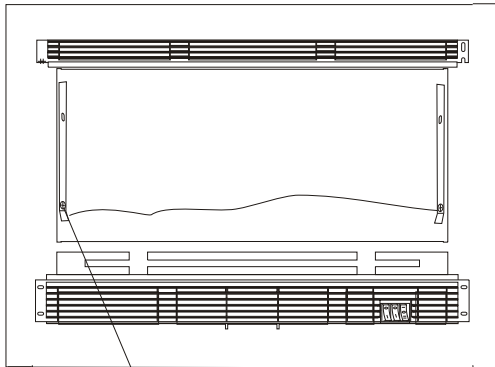


Fig 3

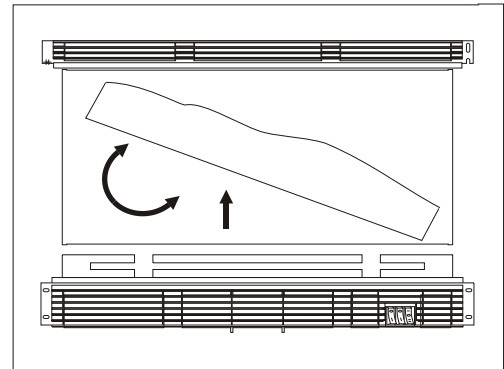


Fig 4

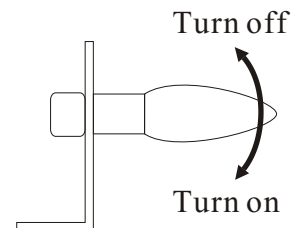
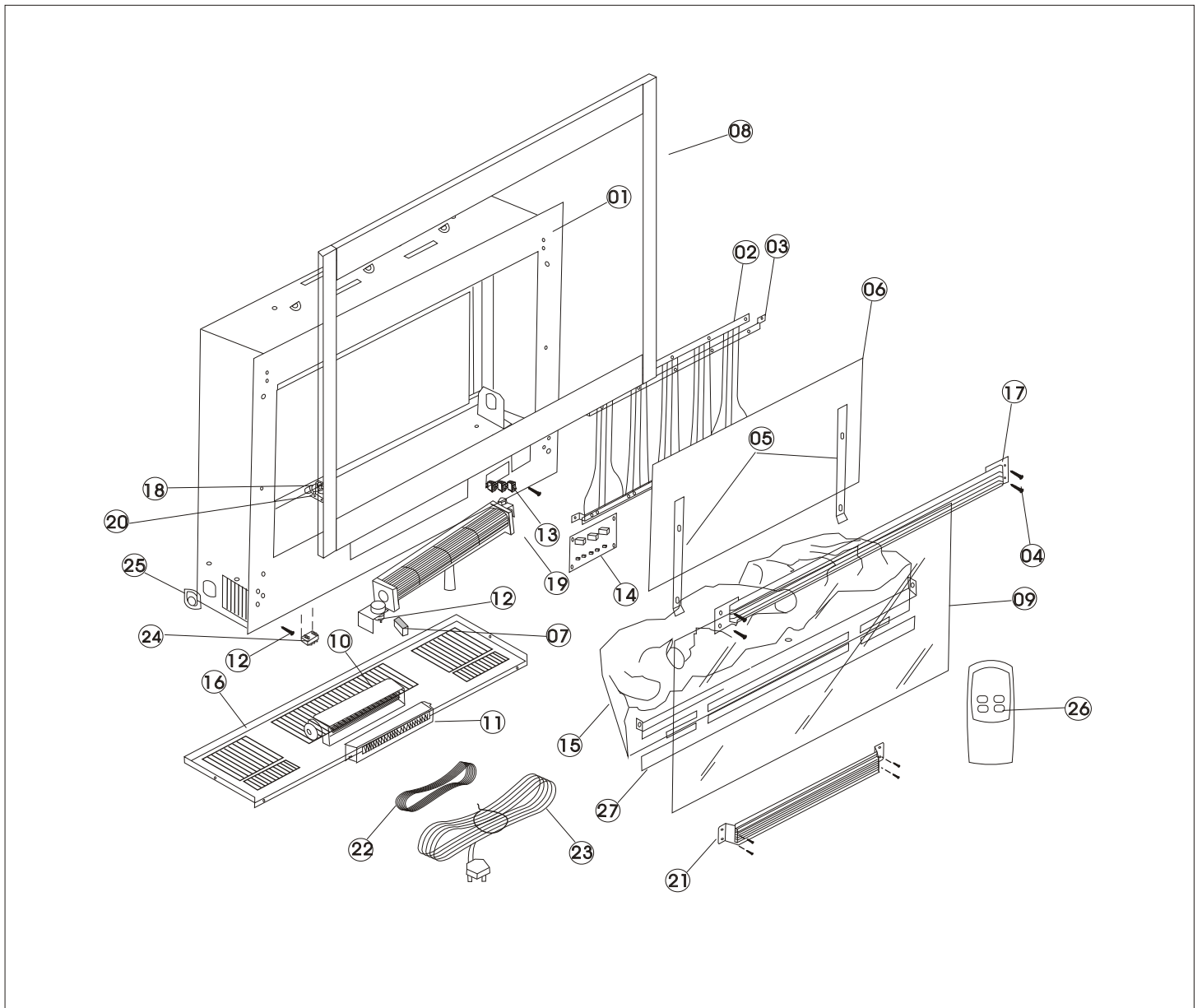


Fig 5

Assembling Instruction

Item #	Part Description	Part #	Item #	Part Description	Part #
01	Mantel	3004126	15	Ember Bed	3004208
02	Ribbon Bracket	3004134	16	Bottom	3004218
03	Backing Strip	3004144	17	Upside Front Fret	3004320
04	Screw	1002150	18	Bulb/Holder	1002030
05	Screen Bracket	3004277	19	Flame Fan	1002014
06	Acrylic Screen	1002108	20	Bulb Bracket	3004144
07	Balance Block	3004220	21	Front Fret	3004330
08	Front Frame	3004167	22	Wiring Loom	1002080
09	Glass	3004300	23	Wire	1002070
10	Heater Fan	1002011	24	Terminal Block	1002090
11	Heating Element	1002260	25	Cable Clamp	1002250
12	Swing Apparatus	5006310	26	Remote	1002050
13	Switch	1002111/2	27	Fret	3004251
14	Remote Receiver	1002060	28		



Operating Instruction

Manual Operation

There are three switches located at the right-hand downside of the fireplace.

The power switch is the right one of the three switches. The downside of the power switch is for hand control and flame on, and the upside for remote control. While either side of the power switch is pushed, the power is turned off.

The middle switch is for first heater on with the totally 0.9KW.

The left switch is for second heater on with totally 1.8KW. Before turn it on, the middle switch must be pushed.

While all upside of the three switches are pushed, the way of control is changed to remote control.

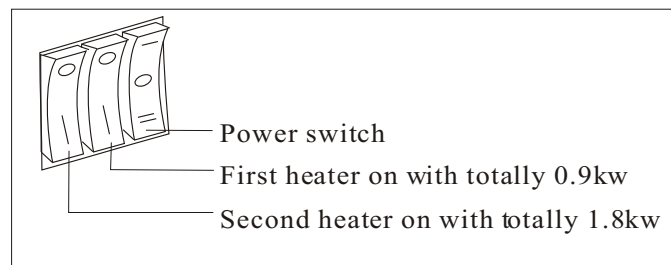


Fig6

Remote Control Operation

Begin remote control after all upside of the three switches are pushed. See Fig7.

The remote receiver is behind the screen. Aim at the center of the screen when presskeys on the remote controller.

On/Flame Effect

This button will turn on the power and flame.

Heating

Low

This button will turn on the first heater.

High

This button will turn on the second heater.

Off

This button will turn off the power.

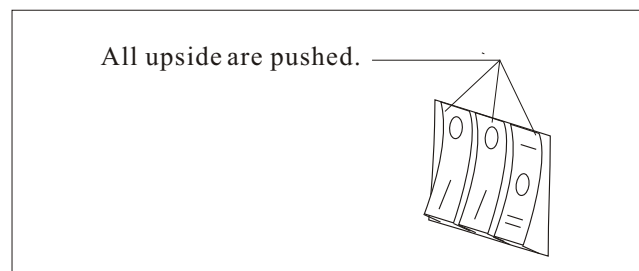


Fig7



WARNING: During any service of this appliance, the power to the unit must be turned off. It is not just accept to use the power switch to meet the requirement.

Guarantee

We provide a twelvemonth guarantee in the respect of the electric fires ranges.

Be sure to keep your purchase receipt.

The twelvemonth guarantee applies to:

- (1) The 'product' has been purchased from the retailer authorized by the manufacturer and in respect of
- (2) The initial installation; and in favour of
- (3) The original purchase

The twelvemonth guarantee does not apply to

- (1) Damage or inferior workmanship practices while the 'product' is being installed
- (2) Damage caused by the misuse of the 'product' or where normal standards of care and use have not been complied with the instruction
- (3) Damage or defects due to, misuse, accident or unauthorized alterations.

During the twelve month after the 'product' has been supplied, the guarantee covers the making good (whether by repair or replacement at the company's option) of defects arising from defective manufacture of 'product'.

On inquiring service contact the retailer who supplied your product and will assist and advise you as necessary.